

**EXPLORER-220  
EXPLORER-230**

**Pump Assembly**

|                  |             |
|------------------|-------------|
| Valve Assy.      | 213-1045-00 |
| 2-way valve only | 213-7001-00 |
| Pump Assy.       | 213-1103-00 |

**Cold Trap Assy.**

**213-1500-00 (220V)  
213-1500-01 (230V)**

|                        |                                |
|------------------------|--------------------------------|
| Filter/Drier           | M65-0001-02                    |
| Condenser              | 213-6105-00                    |
| Fan (2)                | PM0410                         |
| Accumulator            | M65-0001-00                    |
| Receiver               | PM0492                         |
| Manifold Assy.         | 213-1036-00                    |
| o-ring (manifold hose) | PM0843                         |
| Manifold o-ring        | PM0454                         |
| Manifold Gasket        | 213-6078-00                    |
| Compressor             | PM0614 (220V)<br>PM0613 (230V) |
| TEV                    | PM0312                         |
| Ball Valve Assy.       | 213-1027-00                    |
| Solenoid Coil Assy.    | 213-1129-00                    |
| High Pressure Switch   | PM0105                         |

**Concentrator Base**

|                          |  |
|--------------------------|--|
| Motor Assy.              | 213-1007-00 (220V)<br>213-1007-01 (230V) |
| Belt                     | PM0692                                   |
| Display & Membrane Assy. | 213-1033-00                              |
| Carrier Assy. W/IO PCB   | 213-1016-00                              |
| Power Switch             | E90-0125-27                              |
| Power Inlet              | 210-1046-00                              |
| Power Supply             | PE0164                                   |
| Relay                    | E90-0074-19                              |
| Rotor Drive Assy.        | 213-1011-00                              |
| Fan                      | F22301003                                |
| Spring                   | PM0574                                   |

**Cover Open Mechanism**

**213-1018-00**

|                      |             |
|----------------------|-------------|
| Actuator Assy.       | 213-1047-00 |
| Microswitch (3) only | PE0156      |

**Chamber, Upper**

|                        |             |
|------------------------|-------------|
| Thermal Disk           | PE0607      |
| Tube Heater            | 213-6034-00 |
| Fan                    | PM0557      |
| 2-Way Valve Calibrated | 213-7001-00 |
| RTD Assy.              | 213-1052-00 |
| Vacuum Sensor Gauge    | PE0635      |
| Pipe                   | 213-6292-00 |
| Interlock Assy. (4)    | 213-1015-00 |
| Microswitch only       | E90-0125-25 |

**Chamber, Lower**

|                           |             |
|---------------------------|-------------|
| RTD Assy.                 | 213-1052-00 |
| Thermal Disk              | PE0607      |
| Tube Heater               | 213-6034-00 |
| Idler Pulley (2)          | PM0588      |
| Chamber Seal              | PM0801      |
| Lamp (4)                  | PE0001      |
| o-ring (4)                | PM0270      |
| Bracket & Lamp Holder (3) | 213-1020-00 |
| Bracket & Lamp Holder (1) | 213-1020-01 |

**Rotor and IntelliTemp Assy. 213-1019-00**

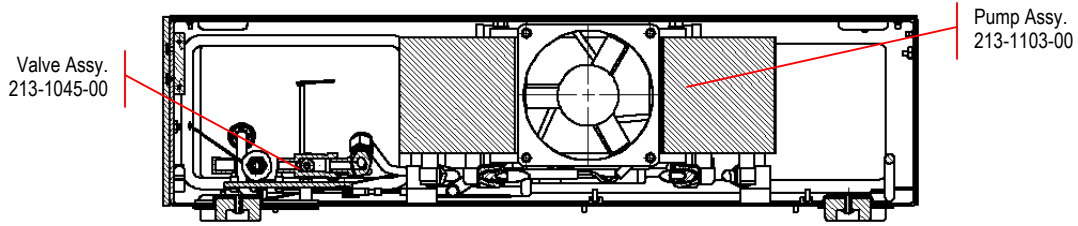
|                           |             |
|---------------------------|-------------|
| IntelliTemp Control Assy. | 213-1154-00 |
| Cable only                | 213-1157-00 |

**Other Components**

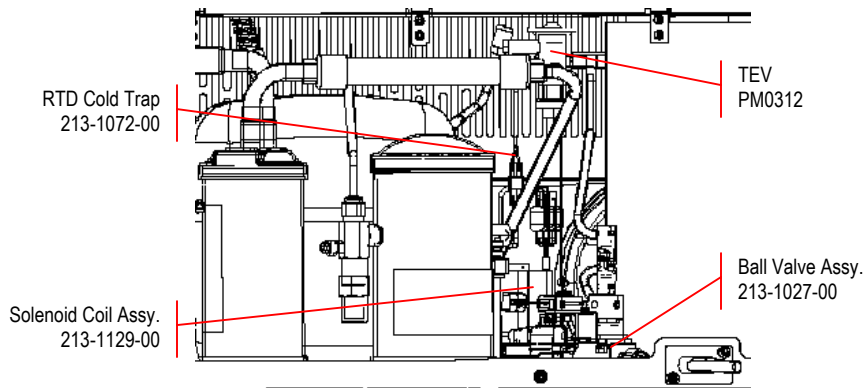
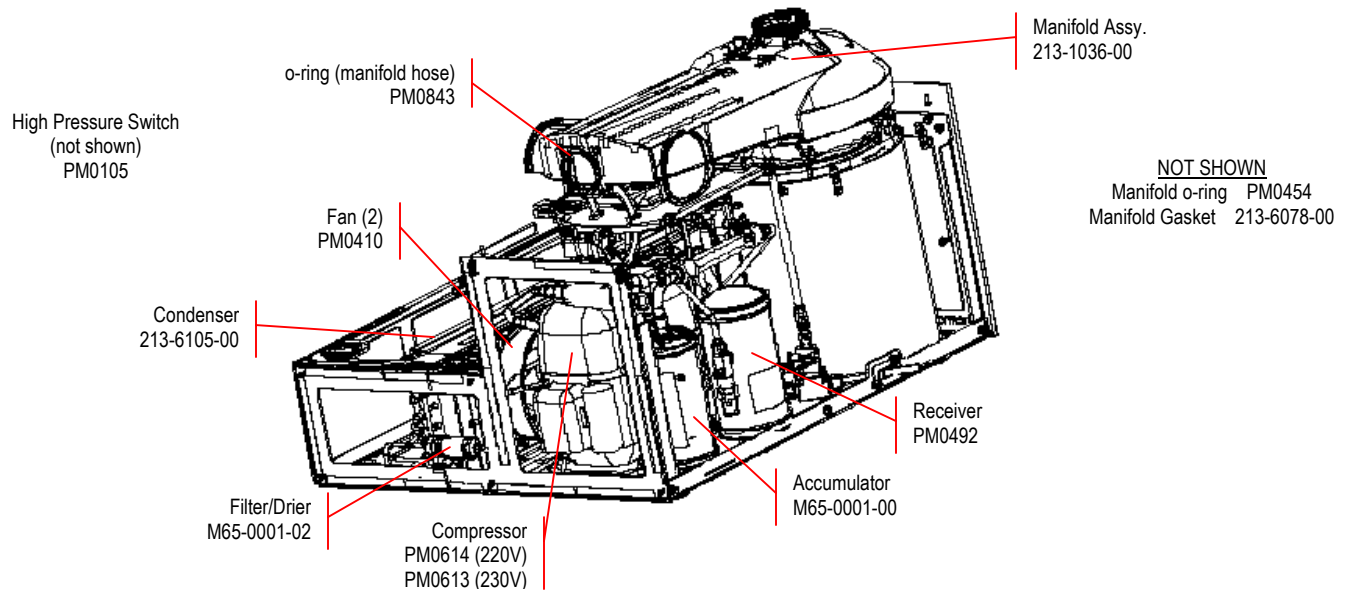
|                         |             |
|-------------------------|-------------|
| Rotor Knob Assy.        | 213-1140-00 |
| Block Carrier Assy. (1) | 213-1101-00 |
| BLOCK Probe only        | 213-1097-00 |
| Probe Carrier Assy. (1) | 213-1112-00 |
| Set of Temp. Probes     | PROBE-EXP   |
| Probe Assy., BLOCK      | 213-1097-00 |
| Probe Assy., RED        | 213-1098-00 |
| Probe Assy., YELLOW     | 213-1099-00 |
| Probe Assy., GREEN      | 213-1100-00 |
| Carrier Assy. (4)       | 213-1094-01 |

Items to be returned for ENGINEERING EVALUATION

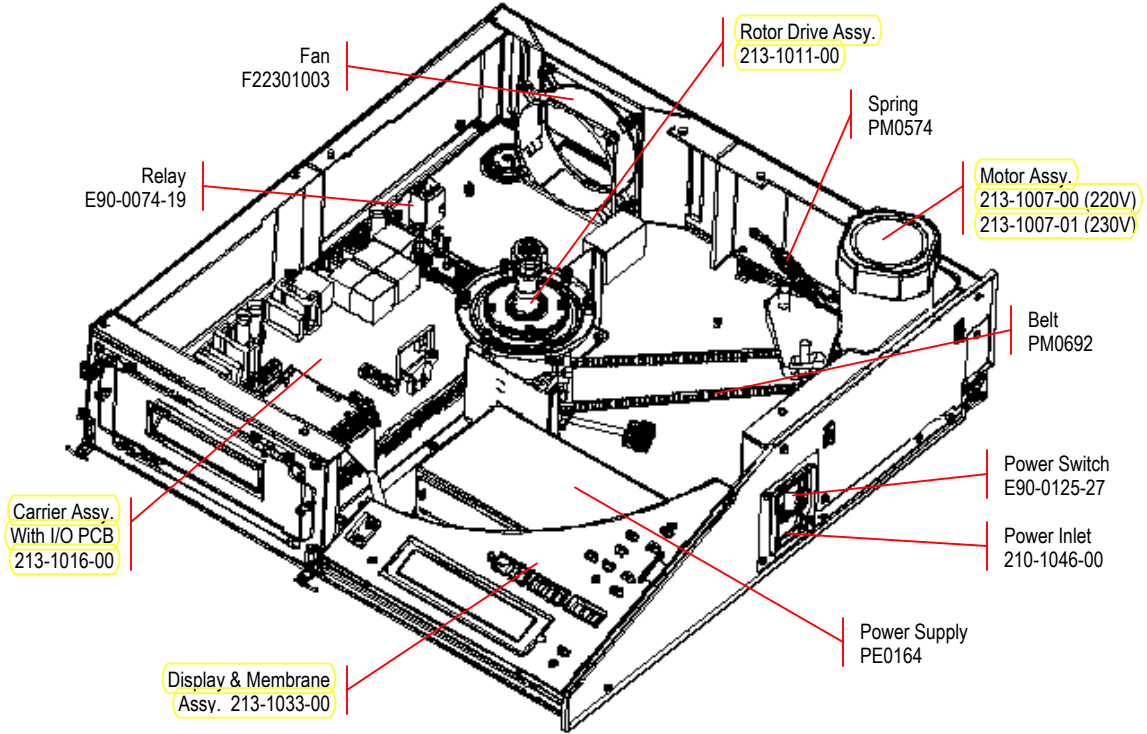
**Pump Assembly 213-1031-00:**



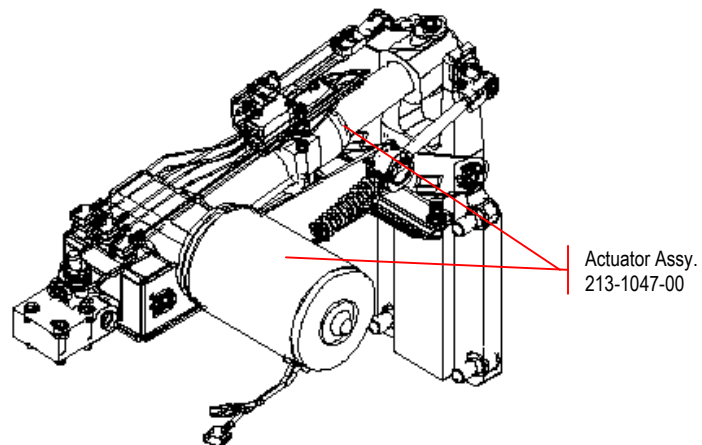
**Cold Trap Assy. 213-1500-00 (220V) or 213-1500-01 (230V):**



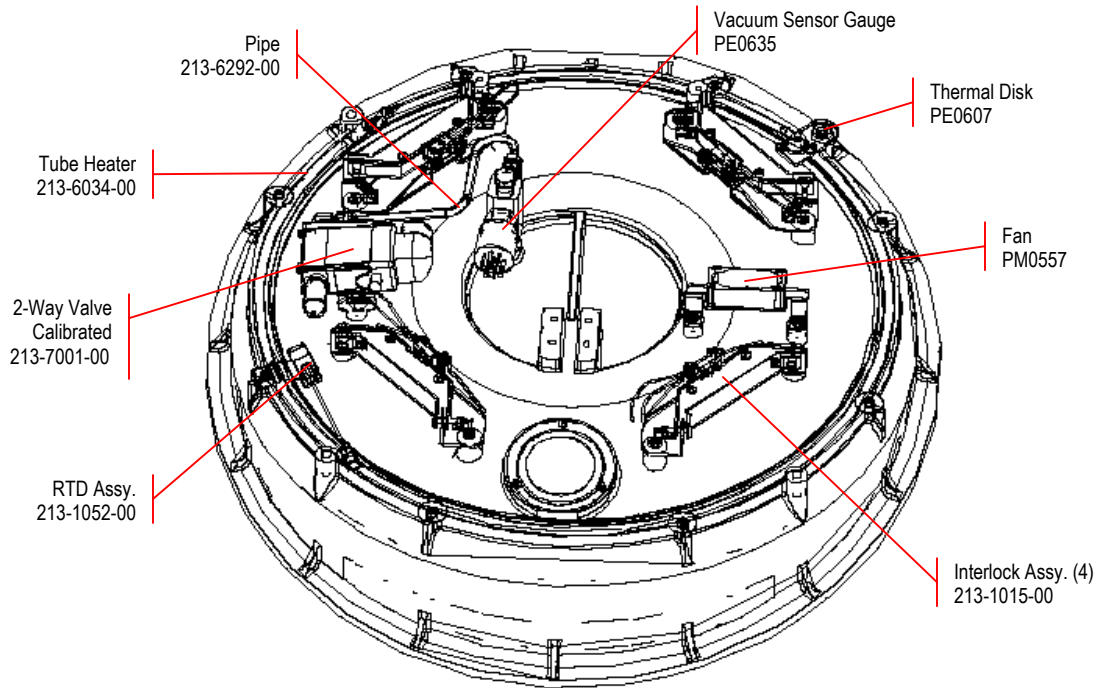
**Concentrator Base**



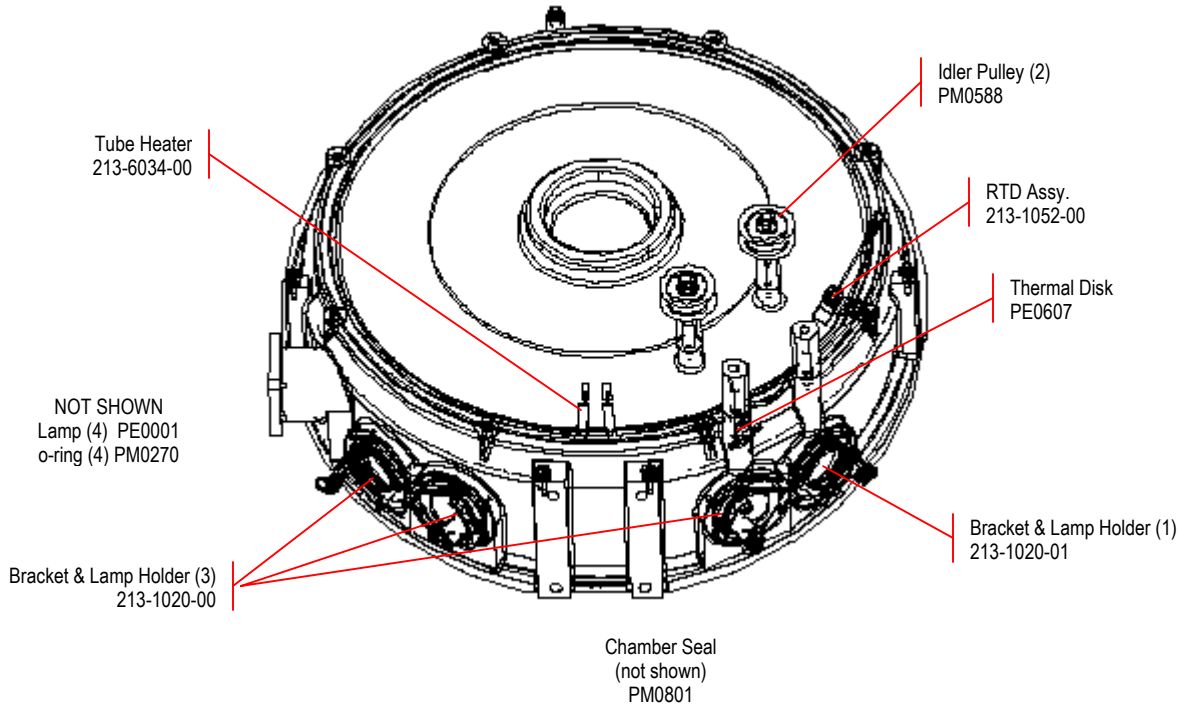
**Cover Open Mechanism 213-1018-00:**



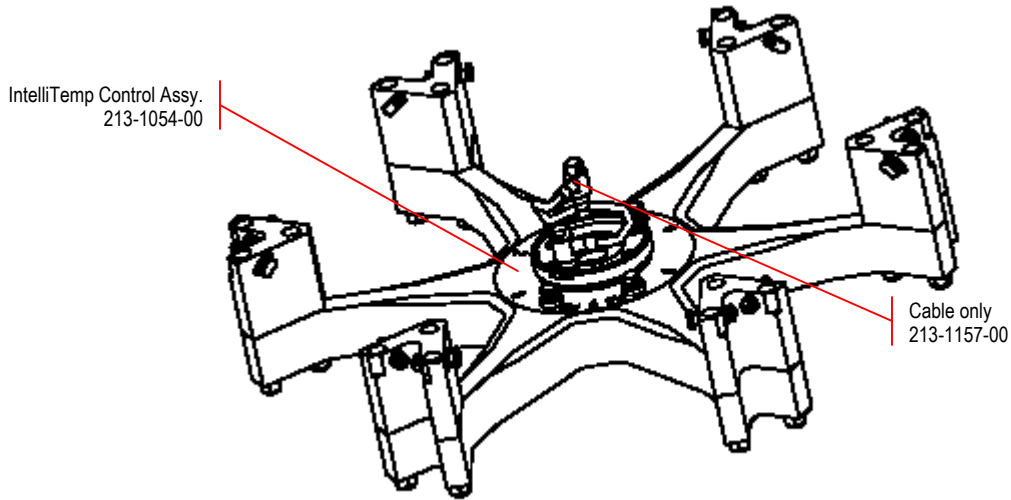
**Chamber, Upper:**



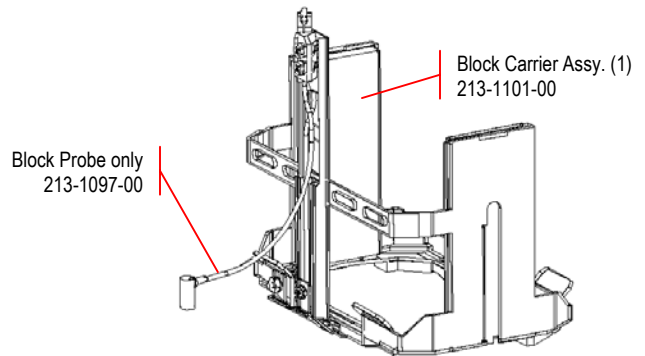
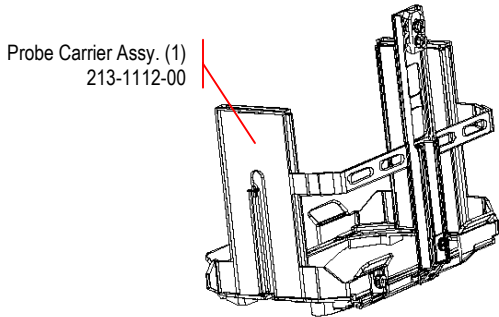
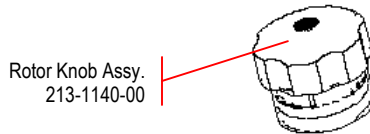
**Chamber, Lower:**



**Rotor and IntelliTemp Assy. 213-1019-00:**



**Other Components:**



IntelliTemp. Probes:

|          |             |
|----------|-------------|
| Set of 4 | PROBE-EXP   |
| Block    | 213-1097-00 |
| Red      | 213-1098-00 |
| Yellow   | 213-1099-00 |
| Green    | 213-1100-00 |

